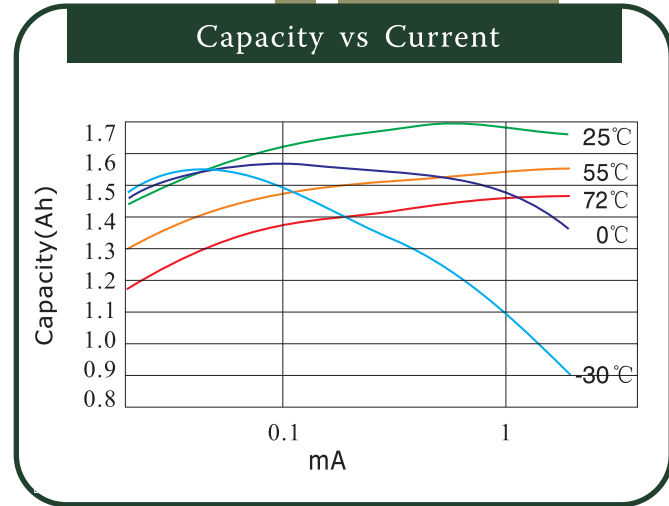
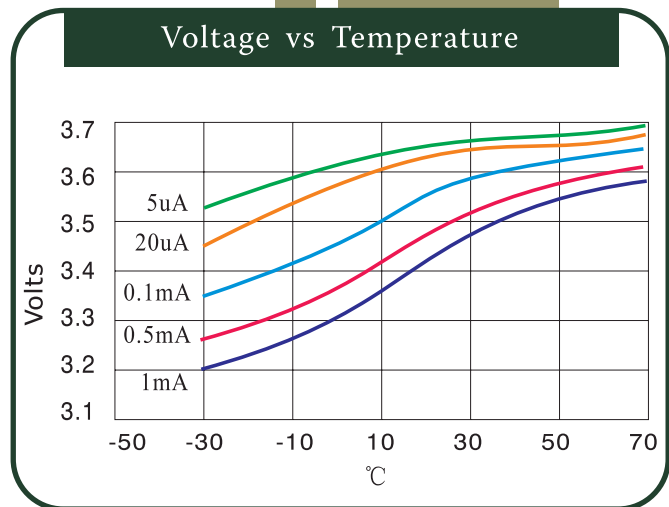
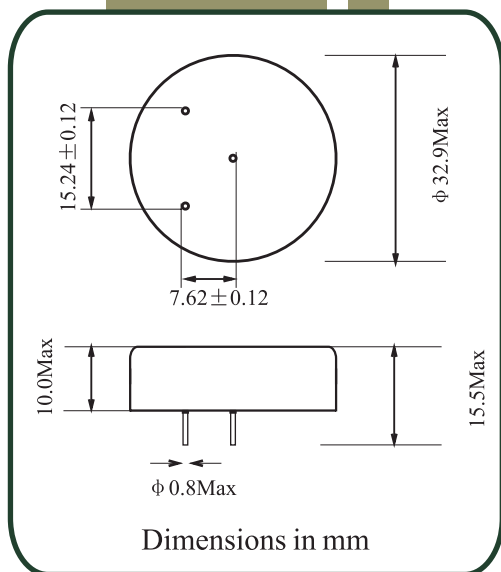


ER32100

Lithium Thionyl Chloride Cylindrical Battery Specification Sheet



ER32100

Nominal Capacity (0.5mA - 2V)	Nominal Voltage	Max. Constant Current	Max. Pulse Current	Weight	Dimension	Operating temperature
1.7Ah	3.6V	10mA	20mA	22g	As diagram	-55°C~85°C

Caution:

- Do not charge nor short-circuit.
- Do not solder directly nor force-discharge.
- Do not heat, disassemble, dispose of in fire.
- Do not apply strong pressure nor handle roughly.
- Do not use new and used batteries together nor mix different types of batteries.
- Do not reverse the positive and negative pole of battery while using it.

