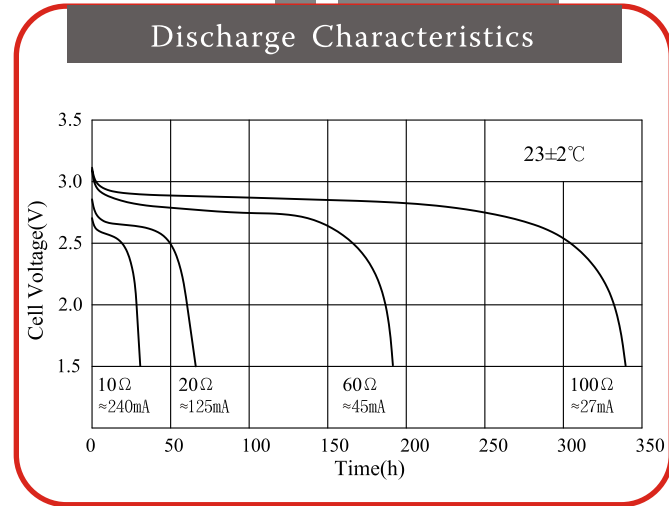
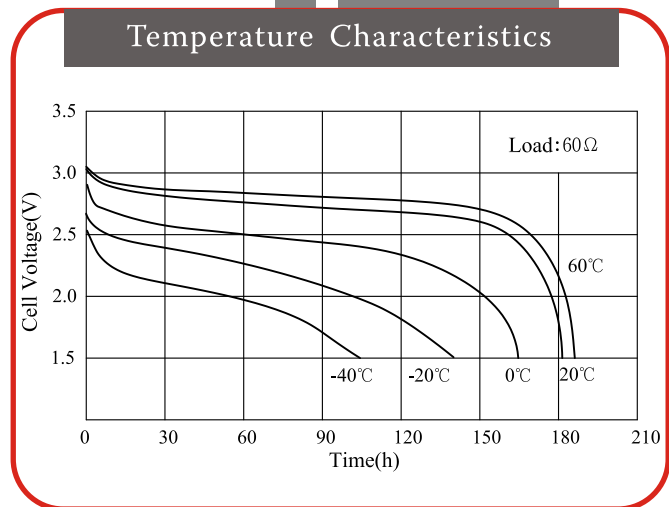
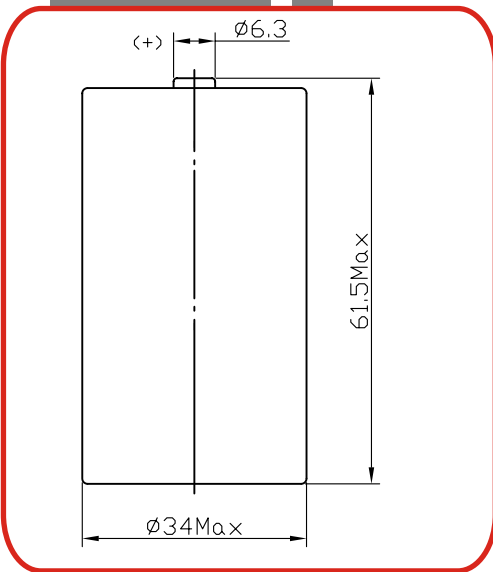


CR34615

Lithium Manganese Dioxide Cylindrical Battery Specification Sheet



CR34615

Nominal Capacity (10mA - 2V) 10000mAh	Nominal Voltage 3V	Max. Constant Current 2000mA	Max. Pulse Current 3000mA	Weight 125g	Dimension Ø34x61.5mm	Operating temperature -40°C~70°C
---	-----------------------	---------------------------------	------------------------------	----------------	-------------------------	-------------------------------------

Caution:

- Do not charge nor short-circuit.
- Do not solder directly nor force-discharge.
- Do not heat, disassemble, dispose of in fire.
- Do not apply strong pressure nor handle roughly.
- Do not use new and used batteries together nor mix different types of batteries.
- Do not reverse the positive and negative pole of battery while using it.

