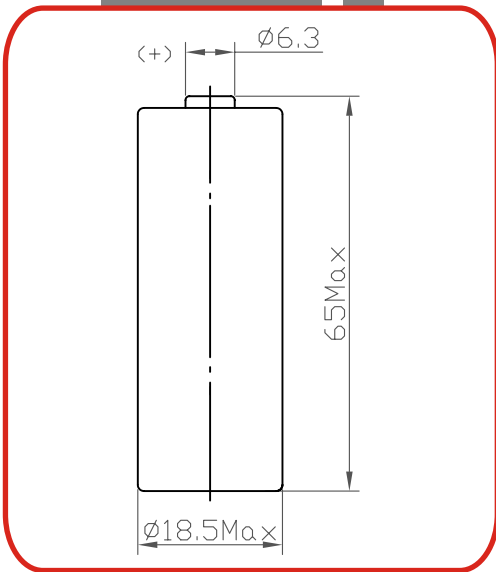


CR18650

Lithium Manganese Dioxide Cylindrical Battery Specification Sheet



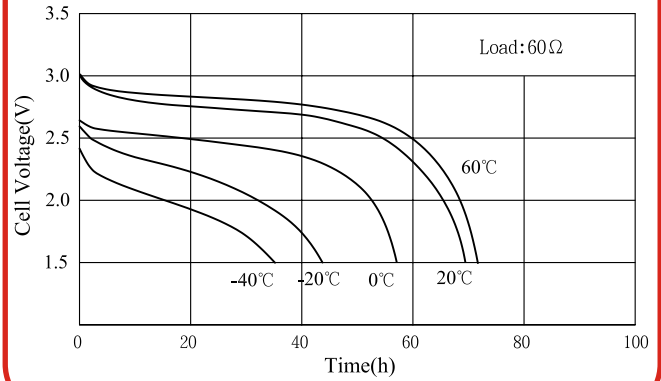
CR18650

Nominal Capacity (10mA - 2V) 3200mAh	Nominal Voltage 3V	Max. Constant Current 2000mA	Max. Pulse Current 3000mA	Weight 45g	Dimension $\phi 18.5 \times 65\text{mm}$	Operating temperature $-40^{\circ}\text{C} \sim 70^{\circ}\text{C}$
--	-----------------------	---------------------------------	------------------------------	---------------	---	--

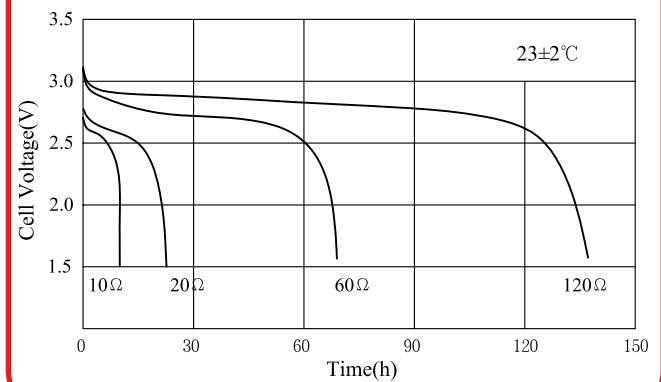
Caution:

- Do not charge nor short-circuit.
- Do not solder directly nor force-discharge.
- Do not heat, disassemble, dispose of in fire.
- Do not apply strong pressure nor handle roughly.
- Do not use new and used batteries together nor mix different types of batteries.
- Do not reverse the positive and negative pole of battery while using it.

Temperature Characteristics



Discharge Characteristics



Load-Capacity Characteristics

