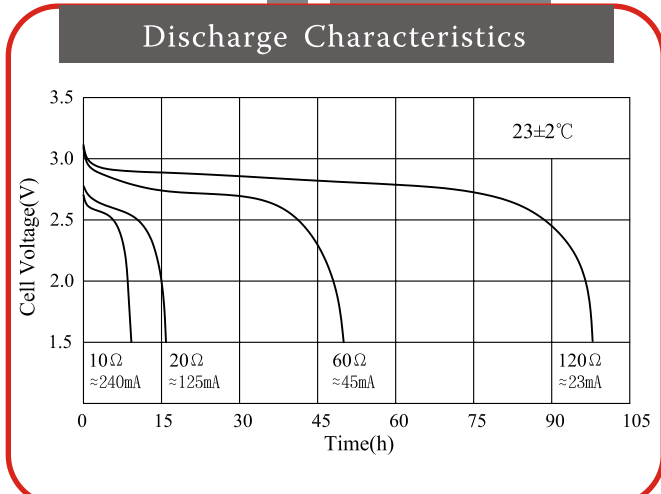
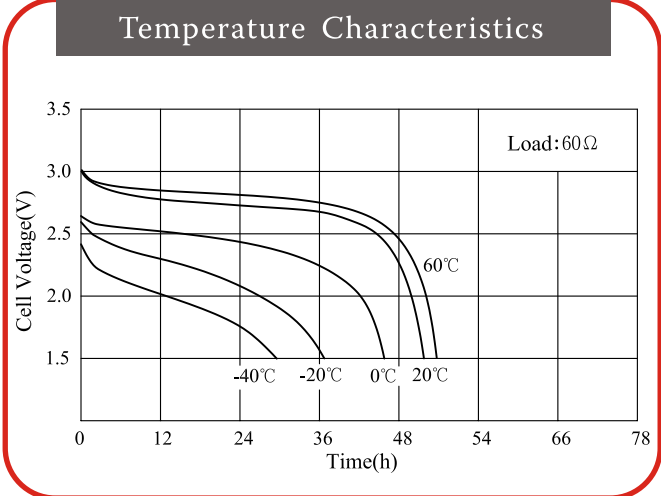
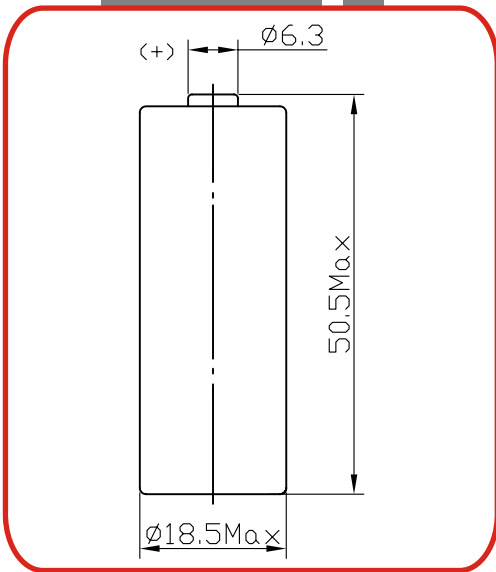


CR18505

Lithium Manganese Dioxide Cylindrical Battery Specification Sheet



CR18505

Nominal Capacity (10mA - 2V) 2400mAh	Nominal Voltage 3V	Max. Constant Current 2000mA	Max. Pulse Current 3000mA	Weight 35g	Dimension Ø18.5x50.5mm	Operating temperature -40°C~70°C
--------------------------------------------	-----------------------	---------------------------------	------------------------------	---------------	---------------------------	-------------------------------------

Caution:

- Do not charge nor short-circuit.
- Do not solder directly nor force-discharge.
- Do not heat, disassemble, dispose of in fire.
- Do not apply strong pressure nor handle roughly.
- Do not use new and used batteries together nor mix different types of batteries.
- Do not reverse the positive and negative pole of battery while using it.

