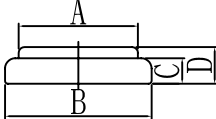
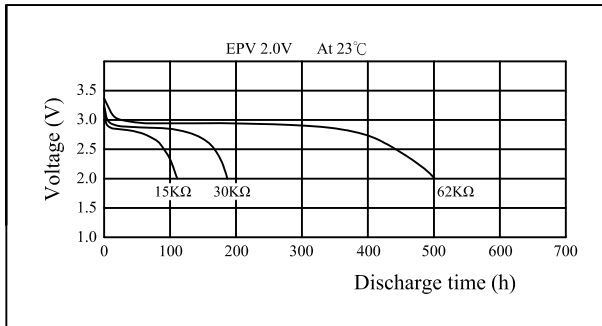


# Lithium Manganese Dioxide Coin Battery : Individual Specification

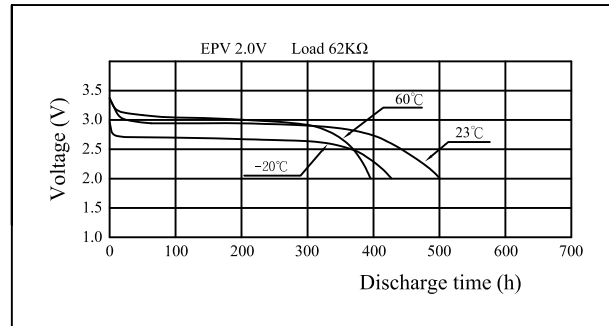
## CR927

Nominal Voltage	3V	Dimensions (mm) 	A	$\phi 7.4$
Nominal Capacity	30(mAh)		B	$\phi 9.5 \begin{smallmatrix} +0.0 \\ -0.2 \end{smallmatrix}$
Continuous standard load	62(K $\Omega$ )		C	2.1
Operating temperature	-20~60°C		D	$2.7 \begin{smallmatrix} +0.0 \\ -0.3 \end{smallmatrix}$
Weight	0.6(g)			

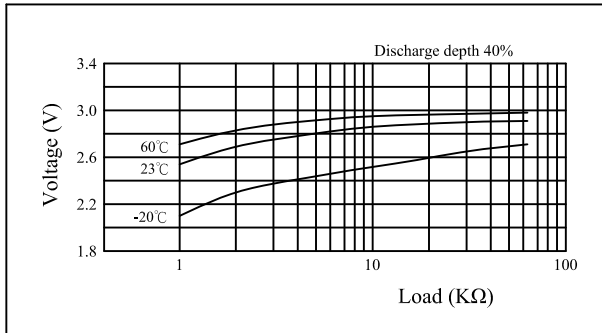
Discharge characteristics



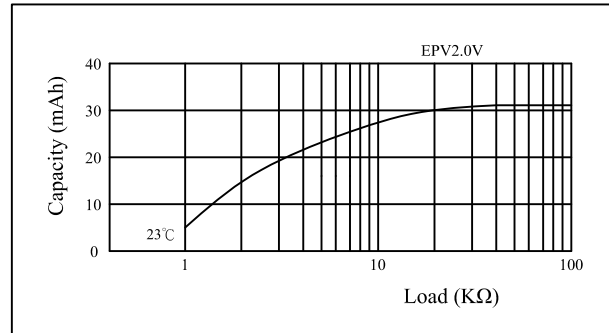
Temperature characteristics



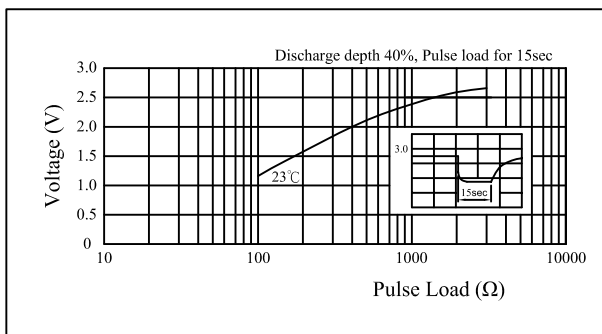
Load vs. Operating voltage



Load vs. Capacity



Pulse discharge characteristics



Storage characteristics

