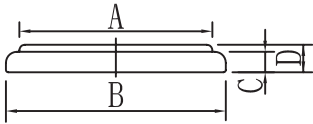
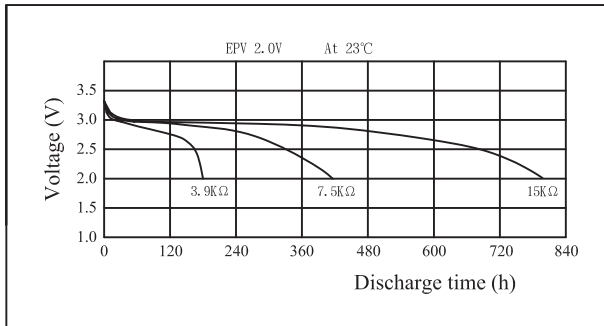


Lithium Manganese Dioxide Coin Battery : Individual Specification

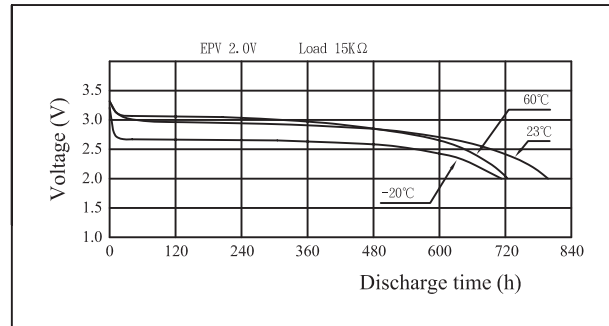
CR2025

Nominal Voltage	3V	<p style="text-align: center;">Dimensions (mm)</p> 	A	$\phi 17.4$
Nominal Capacity	150 (mAh)		B	$\phi 20.0 \begin{smallmatrix} +0.0 \\ -0.3 \end{smallmatrix}$
Continuous standard load	15 (K Ω)		C	1.8
Operating temperature	-20~60°C		D	$2.5 \begin{smallmatrix} +0.0 \\ -0.3 \end{smallmatrix}$
Weight	2.6 (g)			

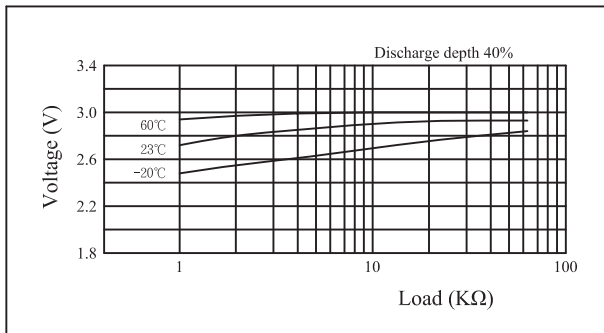
Discharge characteristics



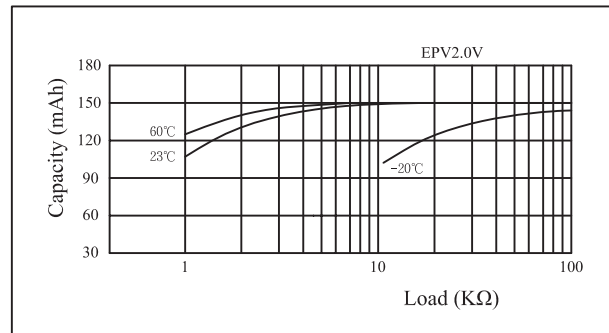
Temperature characteristics



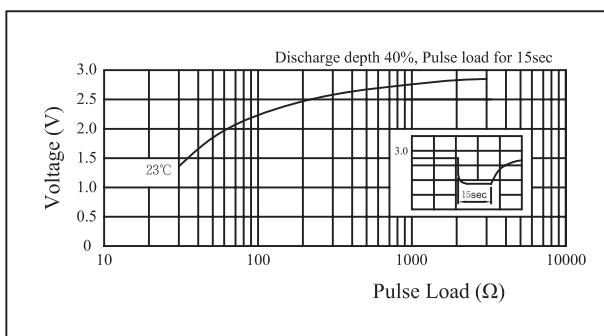
Load vs. Operating voltage



Load vs. Capacity



Pulse discharge characteristics



Storage characteristics

