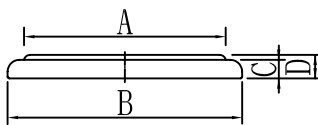
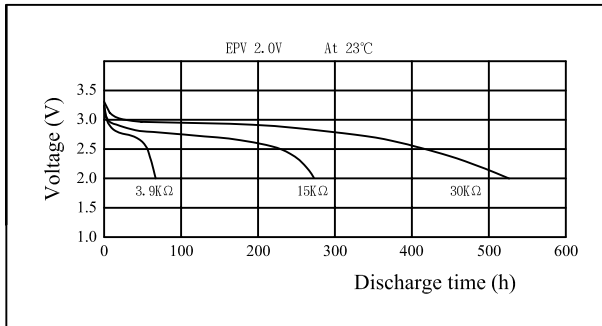


Lithium Manganese Dioxide Coin Battery : Individual Specification

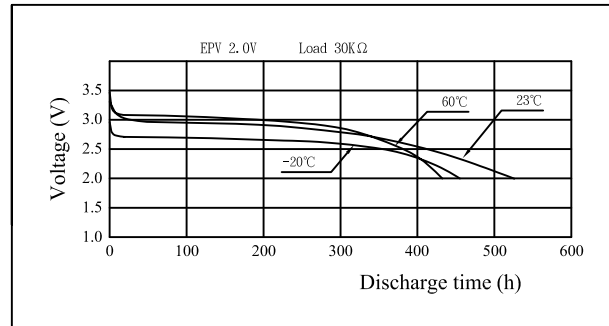
CR1616

Nominal Voltage	3V	<p style="text-align: center;">Dimensions (mm)</p> 	A	$\phi 13.8$
Nominal Capacity	50 (mAh)		B	$\phi 16.0^{+0.0}_{-0.3}$
Continuous standard load	30 (K Ω)		C	1.3
Operating temperature	-20~60°C		D	$1.6^{+0.0}_{-0.3}$
Weight	1.2 (g)			

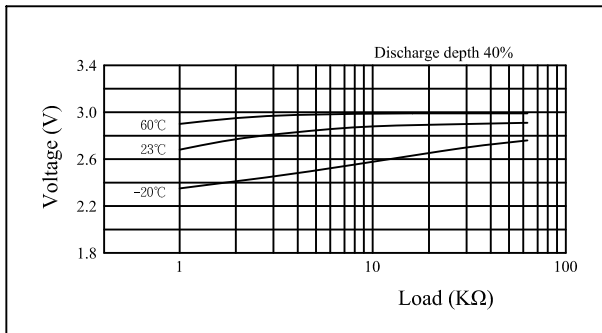
Discharge characteristics



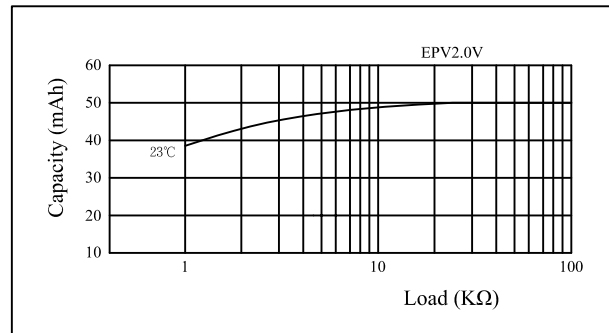
Temperature characteristics



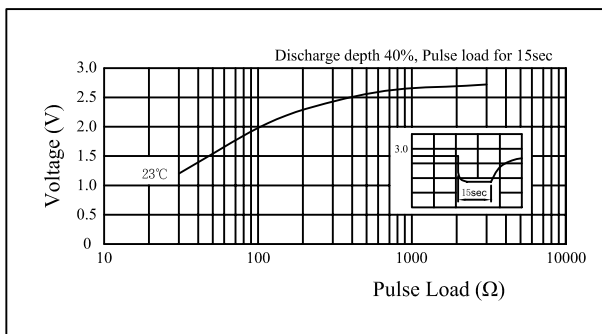
Load vs. Operating voltage



Load vs. Capacity



Pulse discharge characteristics



Storage characteristics

